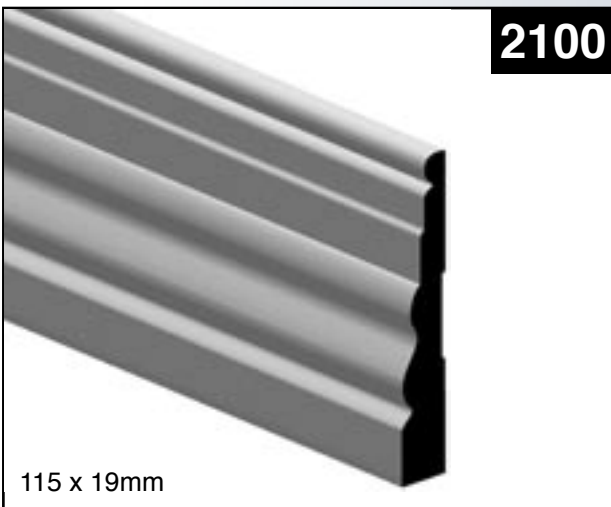
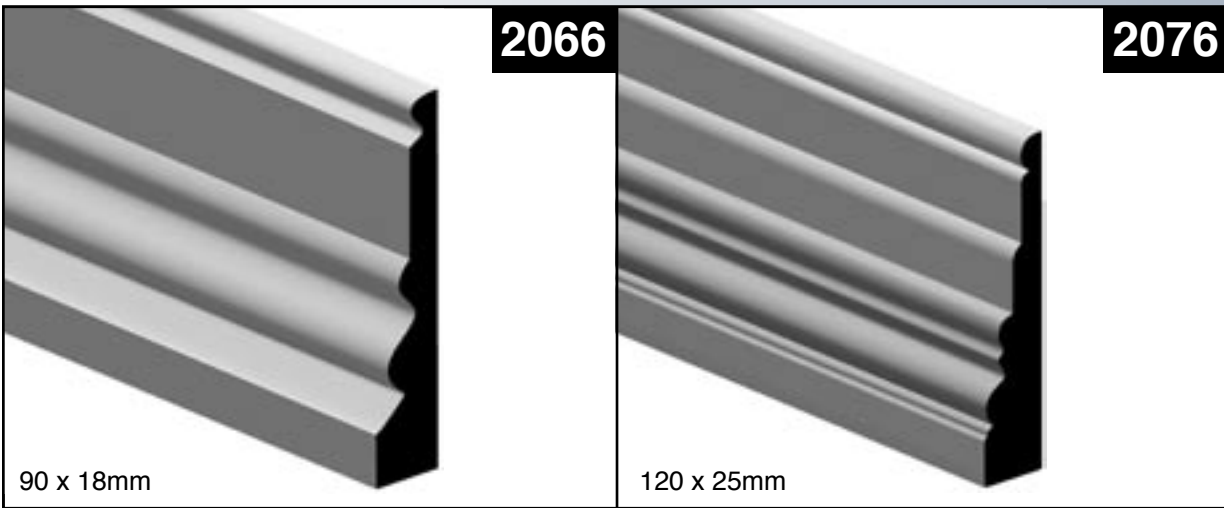
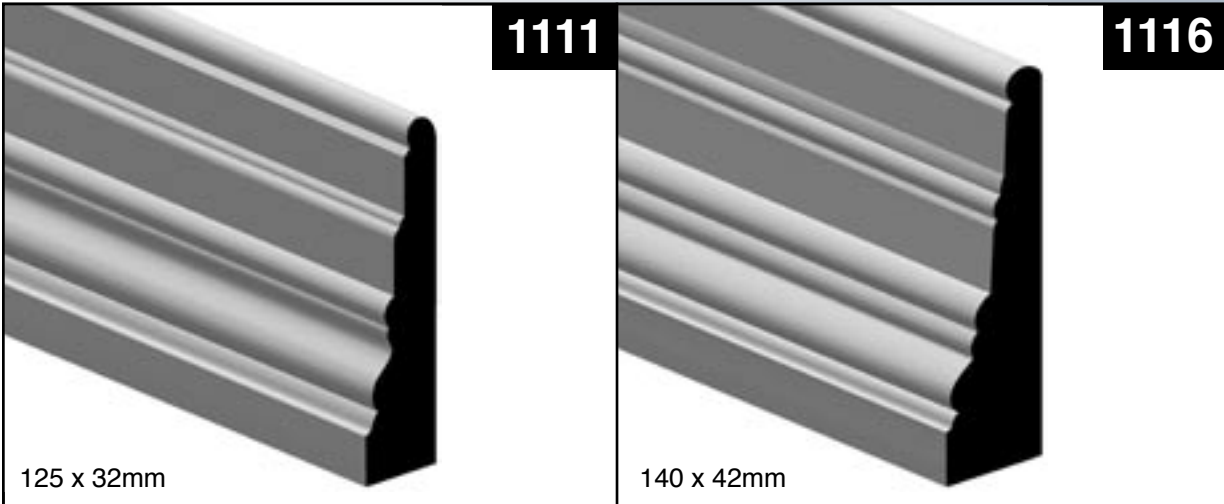


# Large Architraves



**Hazelwood  
& Hill** Pty.  
Ltd.  
Living with timber since 1931

18 McIntyre Street, Burwood Victoria 3125  
Phone (03) 9808 5522 Fax (03) 9808 7226  
Email [info@hazelwoodhill.com.au](mailto:info@hazelwoodhill.com.au)

[www.hazelwoodhill.com.au](http://www.hazelwoodhill.com.au)